

Back Bar Coolers

- Sturdy, stainless steel top
- White pre-painted steel interior, ample storage space for refrigerated bar products
- Self closing doors with safety stop at 120 degrees and recesses handles, with door locks
- Strong body with thick walls, injected with CFC free polyurethane foam
- Exterior cabinet and lining made of galvanized, pre-painted steel, w/baked polyester paint
- Reinforced, adjustable, heavy-duty epoxy coated shelves
- Fully sealed galvanized steel base to prevent dirt accumulation underneath the unit
- UL Classified to ANSI/NSF 7
- Forced-air evaporator for quick temperature pull-down
- Forced-air condenser made of copper and aluminum, resistant to rust and saline environments
- Heavy-duty R-134a condensing unit with easy access for maintenance
- Incandescent interior light



Model No.	Description	Size DxLxH	Voltage	Amps	HP	Cubic Feet	Est. Ship Wt
MR-15-US	2 Doors/4 Shelves	24" x 56.25" x 36.5"	115	6.5	1/4	14.5	335#
MR-15-GL	2 Glass Doors/4 Shelves	24" x 56.25" x 36.5"	115	6.5	1/4	14.5	335#

Fogel USA

Back Bar Coolers



Technical Data

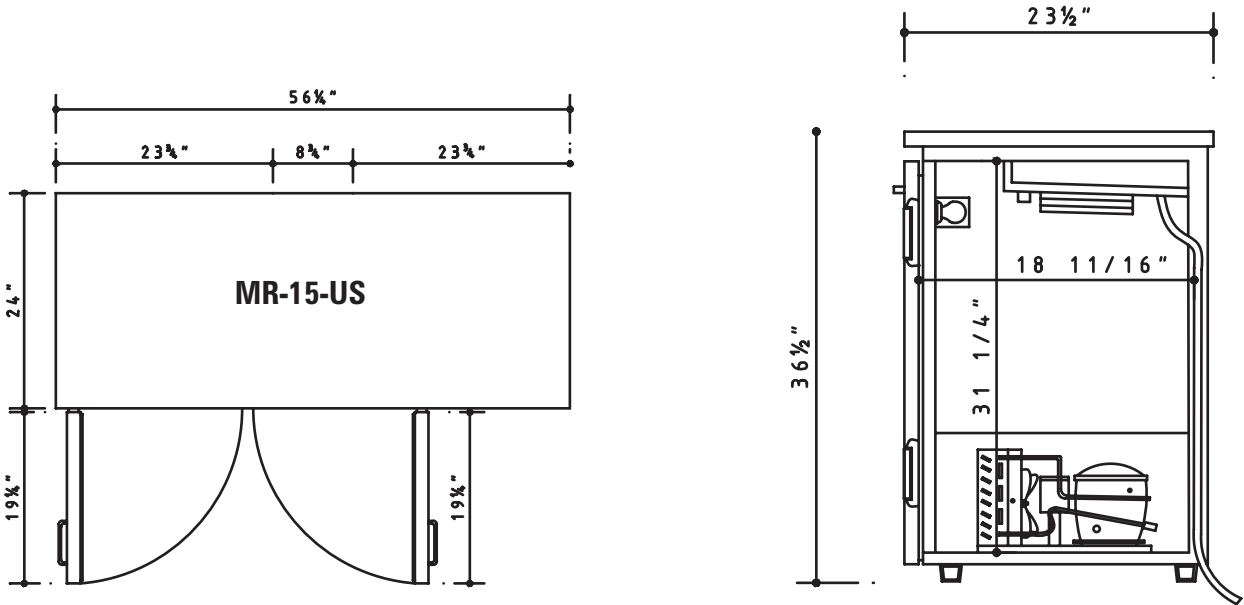
Model #	MR-15-US	MR-15-GL
Outside Dimensions		
Depth	24"	24"
Length	56.25"	56.25"
Height	36.5"	36.5"
Door Size	31.625" H x 19.375"L	31.25"H x 18.875"L
Door Type	solid swing	2 glass swing
Inside Dimensions		
Depth	18.625"	18.625"
Length	52.25"	52.25"
Height	31.25"	31.25"
Shelf Size	(1) 32" x 17.25" (3) 18.125" x 17.25"	(1) 32" x 17.25" (3) 18.125" x 17.25"
# of Shelves	4	4
Capacity: Cubic Foot	14.5	14.5
Specifications		
Operating Temperature	33°F-41°F	33°F-41°F
Refrigerant	R-134a	R-134a
Compressor Size HP	1/4	1/4
Voltage	115	115
Amperage	6.5	6.5
Cord and Plug	yes	yes
Shipping Dimensions		
Depth	27.625"	27.625"
Length	59.5"	59.5"
Height	41.5"	41.5"
Gross Weight lbs.	335	342
Cubic feet	40	40

- Cases are designed to operate at 75° Fahrenheit and 55% relative humidity.
- Specification subject to change without notice.





MR-15-US and MR-15-GL
Side View - Plan View



• Specification subject to change without notice.

FOGEL GROUP USA, LLC

831 E Cayuga Street, Philadelphia, PA 19124 USA • (215) 464-6800 • 1-800-344-8222
Fax (215) 969-4890 • E-Mail: sales@fogelusa.com • www.fogelusa.com

