

www.fogelusa.com



## Glass Door Counter Top

- Interior and exterior constructed of heavy-duty white coated steel
- CFC free foamed-in-place polyurethane insulation
- Stainless steel floor
- Illuminated top header sign CTE-3-US
- Externally mounted hinged glass doors
- Recessed door handle
- Heavy duty shelves with clips
- Heavy duty hinges with self closing mechanism
- UL Classified to ANSI/NSF 7
- Forced air evaporator for quick temperature "Pull Down"
- Heavy duty condensing unit with R-134a refrigerant, located in front for easy access maintenance
- T-8 lighting system and electronic ballast provide a life expectancy of 24,000 hrs.



CC-7-US



CTE-3-US

Model No.	Description	Size DxLxH	Voltage	Amps	HP	Cubic Feet	Est. Ship Wt
CTE-3-US	1 Door/2 Shelves	16.125" x 19" x 33.75"	115	3.2	1/6	3.12	90#
CC-7-US	1 Door/3 Shelves	25" x 21.25" x 37.75"	115	3.2	1/8	6.7	170#

### Fogel USA

831 Easy Cayuga St • Philadelphia, PA 19124 • 1-800-344-8222 • 1-215-464-6800  
Fax: 1-215-969-4890 • Email: sales@fogelusa.com • www.fogelusa.com

# Counter Top – Hinged Glass Door



## Technical Data

Model #	CTE-3-US	CC-7-US
<b>Outside Dimensions</b>		
Depth	16.125"	25"
Length	19"	21.25"
Height	33.75"	37.75"
Door Size	25"x18.625"	36.625"x21"
Door Type	1 swing	1 swing
<b>Inside Dimensions</b>		
Depth	14.75"	21.75"
Length	16.25"	18.75"
Height	22.5"	35"
Shelf Size	15.5"x13.25"	(2) 17.625"x20.75" • (1) 17.625"x9"
# of Shelves	2	3
Capacity: Cubic Foot	3.12	6.7
<b>Specifications</b>		
Operating Temperature	32°F-39°F	32°F-39°F
Refrigerant	R-134a	R-134a
Compressor Size HP	1/6	1/8
Voltage	115	115
Amperage	3.2	3.2
Cord and Plug	yes	yes
<b>Shipping Dimensions</b>		
Depth	16.75"	25.625"
Length	19.625"	21.875"
Height	37.25	41.25
Gross Weight lbs.	90	170
Cubic feet	7	13

- Cases are designed to operate at 75° Fahrenheit and 55% relative humidity.
- Specification subject to change without notice.



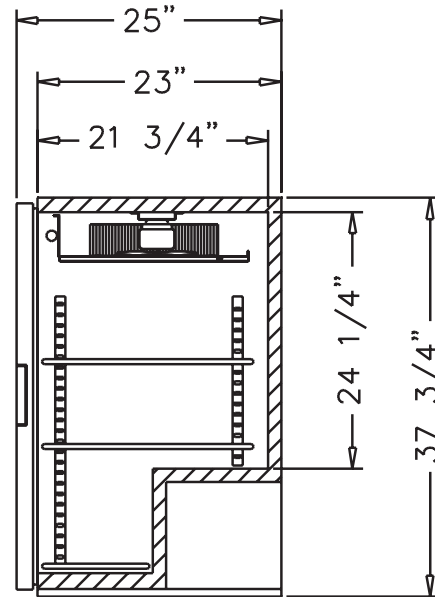
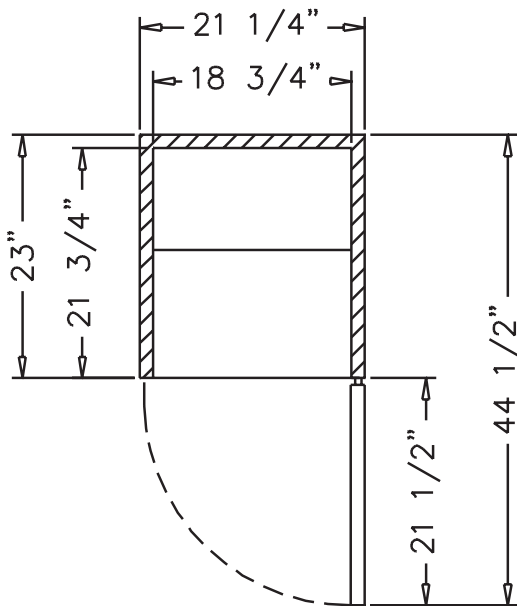


# Counter Top – Hinged Glass Door

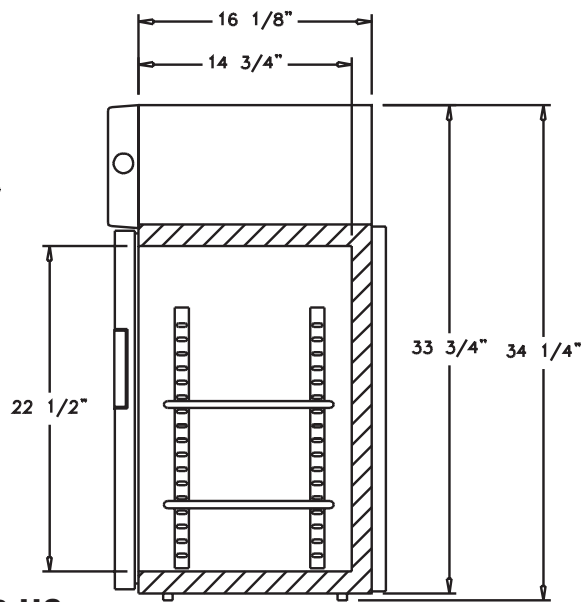
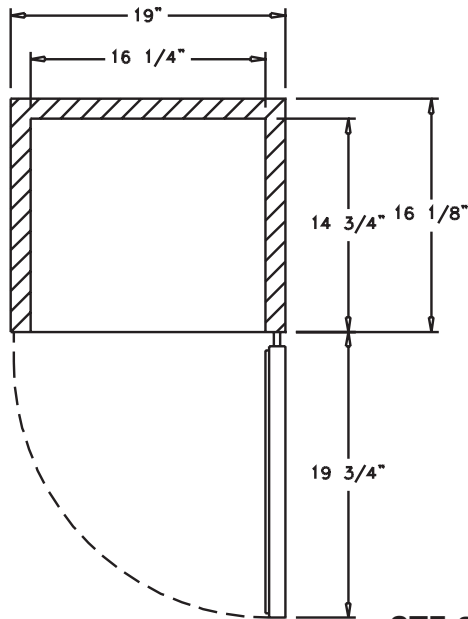
Technical Data - Side View - Plan View

## CT-3-US and CC-7-US

Side View - Plan View



### CC-7-US



### CTE-3-US

• Specification subject to change without notice.

#### FOGEL GROUP USA, LLC

831 E Cayuga Street, Philadelphia, PA 19124 USA • (215) 464-6800 • 1-800-344-8222  
Fax (215) 969-4890 • E-Mail: sales@fogelusa.com • www.fogelusa.com

